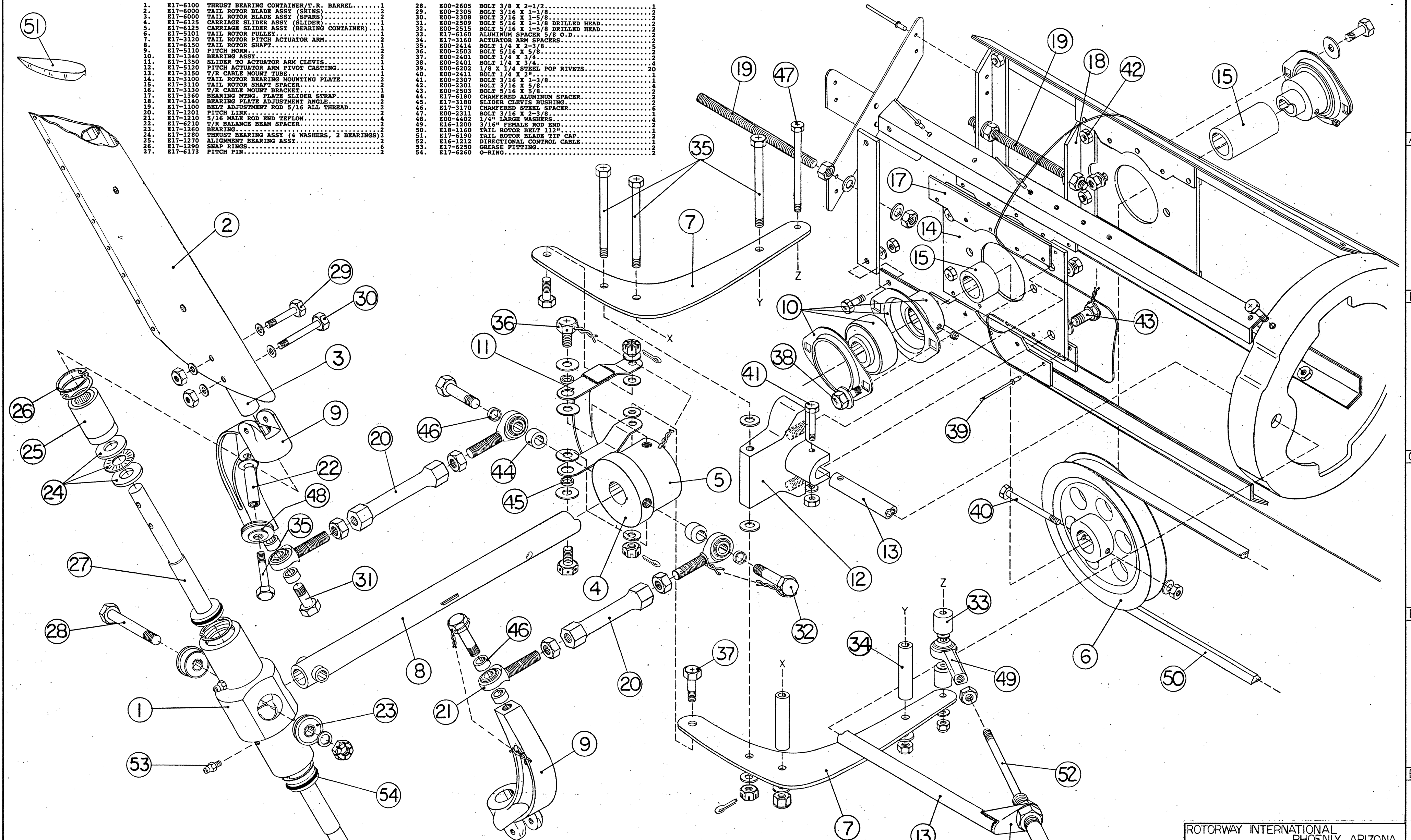


REF. NO.	PART NO.	PART NAME	QTY.
1.	E17-6100	THRUST BEARING CONTAINER/T.R. BARREL.....	1
2.	E17-6000	TAIL ROTOR BLADE ASSY (SKINS).....	2
3.	E17-6000	TAIL ROTOR BLADE ASSY (SPARS).....	2
4.	E17-6125	CARRIAGE SLIDER ASSY (SLIDER).....	1
5.	E17-6125	CARRIAGE SLIDER ASSY (BEARING CONTAINER).....	1
6.	E17-5101	TAIL ROTOR PULLEY.....	1
7.	E17-3120	TAIL ROTOR PITCH ACTUATOR ARM.....	1
8.	E17-6150	TAIL ROTOR SHAFT.....	1
9.	E17-5110	PITCH HORN.....	1
10.	E17-1340	BEARING ASSY.....	2
11.	E17-1350	SLIDER TO ACTUATOR ARM CLEVIS.....	1
12.	E17-5120	PITCH ACTUATOR ARM PIVOT CASTING.....	1
13.	E17-3150	T/R CABLE MOUNT TUBE.....	1
14.	E17-3100	TAIL ROTOR BEARING MOUNTING PLATE.....	2
15.	E17-3110	TAIL ROTOR SHAFT SPACER.....	2
16.	E17-3130	T/R CABLE MOUNT BRACKET.....	1
17.	E17-1360	BEARING MNTG. PLATE SLIDER STRAP.....	8
18.	E17-3140	BEARING PLATE ADJUSTMENT ANGLE.....	2
19.	E17-1100	BELT ADJUSTMENT ROD 5/16 ALL THREAD.....	2
20.	E17-1201	PITCH LINK.....	2
21.	E17-1210	5/16 MALE ROD END TEFLON.....	4
22.	E17-6210	T/R BALANCE BEAM SPACER.....	2
23.	E17-1260	BEARING.....	2
24.	E17-1280	THRUST BEARING ASSY (4 WASHERS, 2 BEARINGS).....	2
25.	E17-1270	ALIGNMENT BEARING ASSY.....	2
26.	E17-1290	SNAP RINGS.....	6
27.	E17-6173	PITCH PIN.....	2

REF. NO.	PART NO.	PART NAME	QTY.
28.	E00-2605	BOLT 3/8 X 2-1/2.....	1
29.	E00-2305	BOLT 3/16 X 1-1/8.....	2
30.	E00-2308	BOLT 3/16 X 1-5/8.....	2
31.	E00-2509	BOLT 5/16 X 1-1/8 DRILLED HEAD.....	2
32.	E00-2515	BOLT 5/16 X 1-5/8 DRILLED HEAD.....	2
33.	E17-6160	ALUMINUM SPACER 5/8 O.D.....	2
34.	E17-3160	ACTUATOR ARM SPACERS.....	2
35.	E00-2414	BOLT 1/4 X 2-3/8.....	5
36.	E00-2503	BOLT 5/16 X 5/8.....	2
37.	E00-2401	BOLT 1/4 X 3/4.....	2
38.	E00-2401	BOLT 1/4 X 3/4.....	4
39.	E00-6202	1/8 X 1/4 STEEL POP RIVETS.....	20
40.	E00-2411	BOLT 1/4 X 2".....	1
41.	E00-2307	BOLT 3/16 X 1-3/8.....	1
42.	E00-2301	BOLT 3/16 X 5/8.....	4
43.	E00-2503	BOLT 5/16 X 5/8.....	2
44.	E17-6180	CHAMFERED ALUMINUM SPACER.....	2
45.	E17-3180	SLIDER CLEVIS BUSHING.....	2
46.	E17-3170	CHAMFERED STEEL SPACER.....	1
47.	E00-2311	BOLT 3/16 X 2-3/8.....	6
48.	E00-4402	1/4" LARGE WASHERS.....	4
49.	E16-1200	3/16" FEMALE ROD END.....	2
50.	E18-1160	TAIL ROTOR BELT 112".....	1
51.	E17-6190	TAIL ROTOR BLADE TIP CAP.....	2
52.	E16-1212	DIRECTIONAL CONTROL CABLE.....	1
53.	E17-6250	GREASE FITTING.....	2
54.	E17-6260	O-RING.....	2



NOTE: ON BOLTS REQUIRING COTTER PINS, FIRST FIND CORRECT TENSION OF NUT, THEN DRILL COTTER PIN HOLE THROUGH BOLT IN LINE WITH SLOTS OF NUT.

ROTORWAY INTERNATIONAL PHOENIX, ARIZONA		
SCALE: NONE	APPROVED BY: <i>[Signature]</i>	DRAWN BY: J.V.
DATE: 2-1-91		REVISED 5-10-93
TAIL ROTOR		
5-10-93 REVISION 1: ADD FITTING 63 AND O-RING 64		DRAWING NUMBER E17-2000-1